



JS LED®

ECO Lighting Technology and Solutions

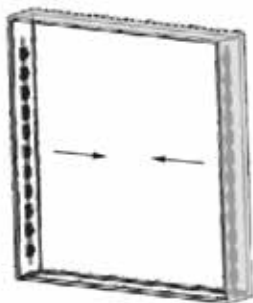


LED Module

Model No. JE-004W-21

For use with Airport, Subway, Transportation, Shopping Mall etc.

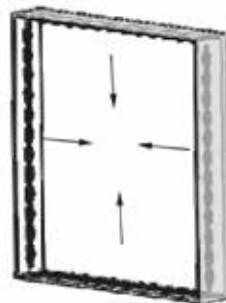
Application: 16-36cm deep double side lightbox or 8-18cm deep single side lightbox



Light Source:
Left and Right

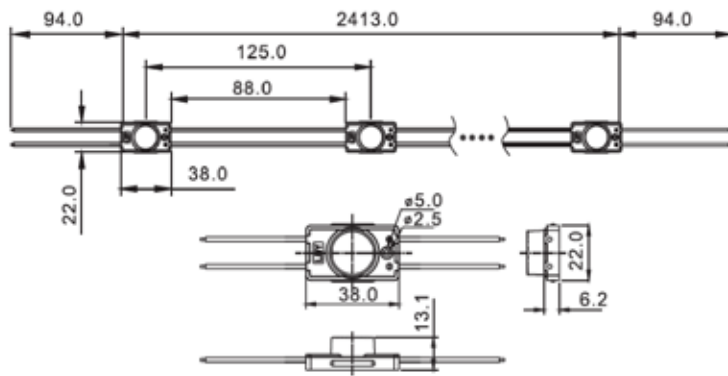


Light Source:
Top and Bottom



Light Source:
All Direction

Product Dimension



Specification

Model No.	JE-004W-21
Color Temperature	White: 5500-6500
Beam Angle	30*15°
RA Index	>70
Lumen	100
Voltage	DC12V
Watts	1.32W
Weight	9.8g
Working Temperature	-25~60
Storage Temperature	-25~70
IP Rating	65

Features:

- LED 5050, effective range 80 LM or up
- Brighter LED
- Durable design for extreme condition
- Weatherproof IP 65 rated
- Light beam angle 30° * 15°
- Efficiency reach at least 85%
- CE and RoHS Certified

JS LED

ECO Lighting Technology and Solutions

Application Sample



Please visit jsledpower.com for more information

For support please call toll free number 1-800-909-5188

Headquarter Office

1318 Maine Ave.,
Baldwin Park, CA 91706
Tel: (626) 338 - 8291
Fax: (626) 338 - 8391

Texas Branch

6120 Westline Dr.,
Houston, TX 77036
Tel: (832) 244 - 2506
Fax: (713) 782 - 3100

New Jersey Branch

600 Deer Rd., Suite #3
Cherry Holl, NJ 08034
Tel: (646) 287 - 5979
Fax: (856) 428 - 4888

Florida Branch

4333 Silver Star Rd., Suite #170
Orlando, FL 32808
Tel: (407) 808 - 9768
Fax: (407) 782 - 4891