

JS LED[®]

MJ-12150i

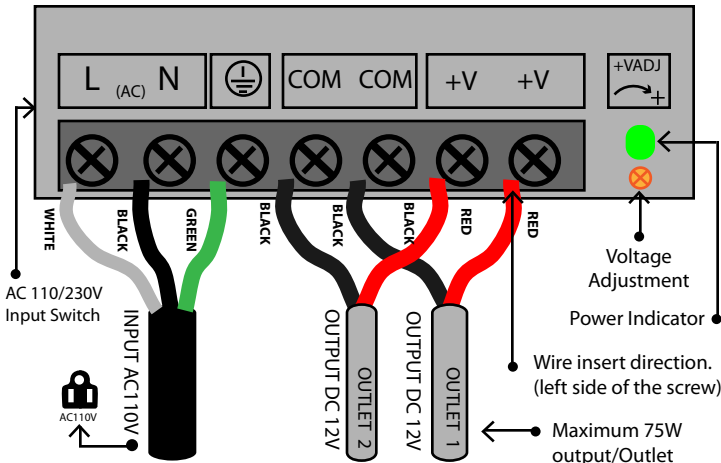
PRODUCT ITEM : INDOOR POWER SUPPLY
MODEL NUMBER : MJ-12150 i
AC INPUT POWER : 100-240VAC 60~50Hz
DC OUTPUT POWER : 12V 12.5A
TOTAL WATTS : 150W
DIMENSIONS: 7.13 x 3.14 x 1.8 inches

Features:

- 150 watts Single Output Switching Power Supply.
- AC input range selectable by switch
- Protections: Short circuit/Over load/Over voltage
- Cooling by free air convection
- 100% full load burn-in test

JS LED POWER INC. Power Supply Connection Diagram

20120101



CAUTION

This power supply is designed for JS LED's Products only
24V LED Wall Washer & LED Flex Neon Tube
DO NOT USE THIS FOR ANY OTHER PURPOSE OR DEVICES
For questions of the product or technical support
Please go to www.jsledpower.com or 1-800-909-5188