

MJ-12200

INSTALLATION INSTRUCTIONS FOR OUTDOOR LOCATIONS

- This power supplies have two channel output (MJ-12200) that complies with Class 2 output requirements.
- The maximum rated output power for MJ-12200 is 200 watts.
- Power supply spacing to other heat producing components shall be minimum 4 inches when minimum spacing to sidewalls and top of enclosure is kept at minimum 2 inches.
- All power supplies can be used outdoor location.
- When junction box is not provided:
 - AC input:
 - Conduit fittings shall be used; UL listed threaded on to power supply bracket, Liquid tight, metallic, provided for connection to the AC circuit (Fig 1).
 - The use of a UL listed junction box suitable for use in locations is Required (Fig 1).
 - DC output:
 - Conduit fitting shall be used :UL Listed Heyco LTF1/2,AVC industrial FGA 13-08 or equivalent (Fig 2, 3) .
 - Output cord must be rated and marked PLTC or CL3R or “Sun Resistant” (Fig 3).
 - DC output wire splicing must be done inside of liquid tight enclosure Or using liquid tight terminals and leads are rated and marked PLTC Or CL3R or “Sun Resistant” (Fig 2, 3).
- When junction box is provided
 - AC input:
 - Conduit fitting shall be used; UL listed, threaded on to power Supply, Liquid tight, metallic, provided for connection to the AC circuit (Fig 4).
 - DC output:
 - Conduit fitting shall be used; UL Listed Heyco LTF 1/2,avc Industrial FGA13-08 or equivalent (Fig 5).
 - Output cord must be rated and marked PLTC or CL3R or “Sun resistant” (Fig 5).
- Any unused threaded conduit opening on power supply must be covered with a UL listed metallic conduit cap.
- Disclaimer:
 - All above installation methods are recommended by manufacturer.
 - All installation shall follow and comply with local NEC regulations.

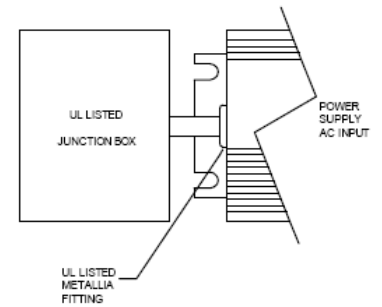


Fig1

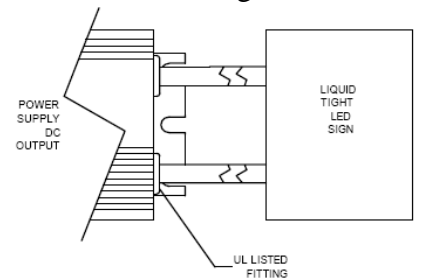


Fig2

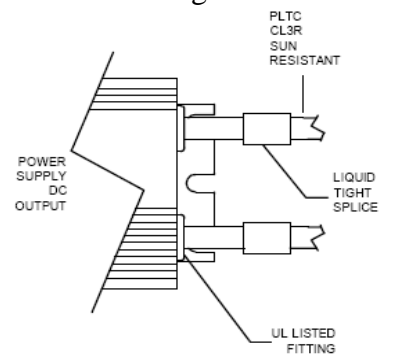


Fig3

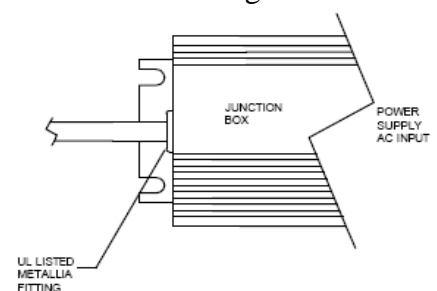


Fig4

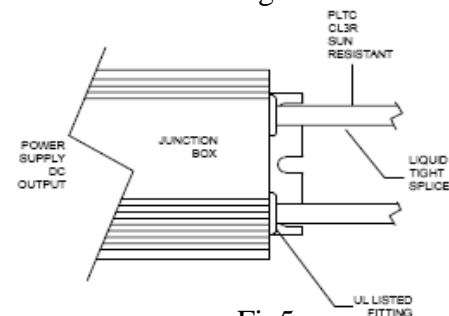


Fig5